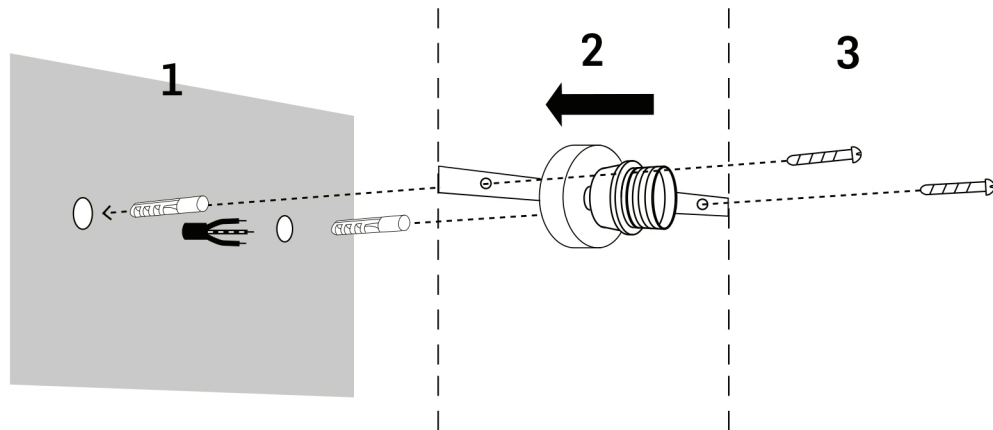
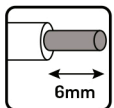
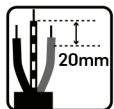
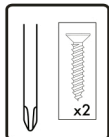
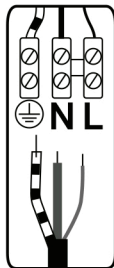


CAROUSEL WALL LAMP

Installation instructions

If the flexible external cable or the cord of this lamp is damaged, it must be replaced by the manufacturer, his service of maintenance or any person of equivalent qualification to avoid any risk.

utu.
lamps



for indoor use only

www.utulamps.com